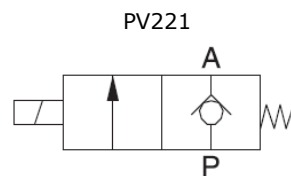


PV Valves Series (2/2 way)

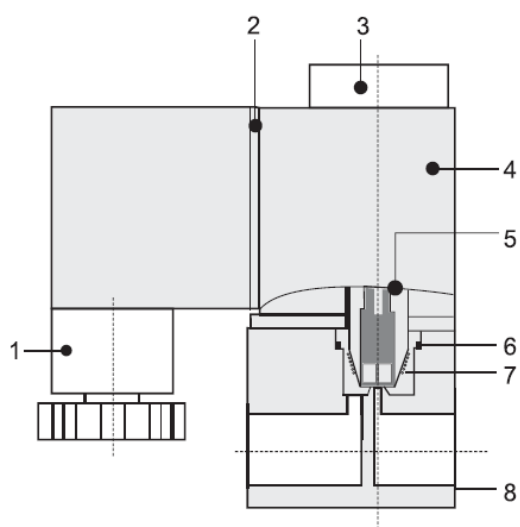


P	V	2	2	1	-	24	VDC	-	1 / 8
Series	Ports / Ways	Positions	Controls		Voltage		Port size		
	2:2 ways	2 Positions	: Single control 2: Double control		110 VAC	36 VAC	1/8: 1/8"		
					220 VAC	24 VAC	1/4: 1/4"		
					380 VAC	110 VDC			
					24 VDC	48 VDC			
					12 VDC	36 VDC			

Specifications

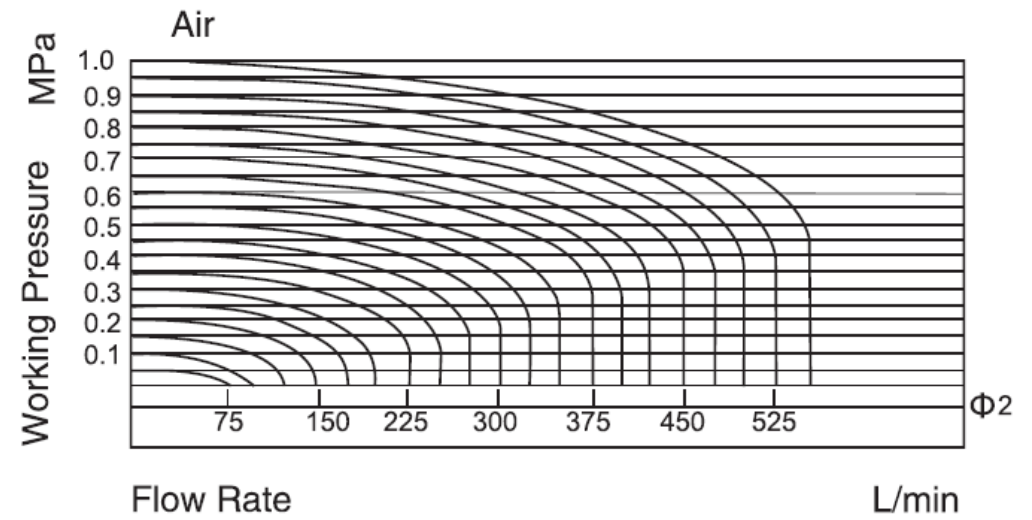
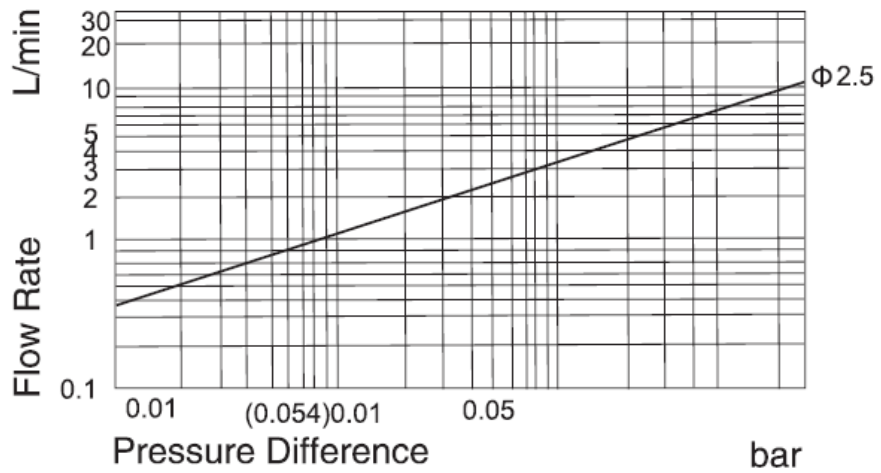
Model	PV221-1/8	PV221-1/4
Working medium	Air, water & oil	
Acting type	Direct acting	
Orifice (mm)	2	
Port size	1/8	1/4
Lubrication	Not required	
Working pressure (Bar)	0 ~ 8	
Guaranteed pressure (Bar)	12	
Working temperature (°C)	-5 ~ 60 (No freezing)	
Voltage range	-15% ~ 10	
Power consumption	AC : 5VA DC : 4.8W	
Insulation class	Class F	
Protective class	IP65 (DIN40050)	
Activate time (s)	<0.05	
Seal material	NBR	
Weight (g)	141	138

Internal Structure



No.	Part name
1	Connector
2	Connector washer
3	Nut
4	Coil
5	Pilot units
6	O-ring
7	Spring
8	Valve body

Flow Chart

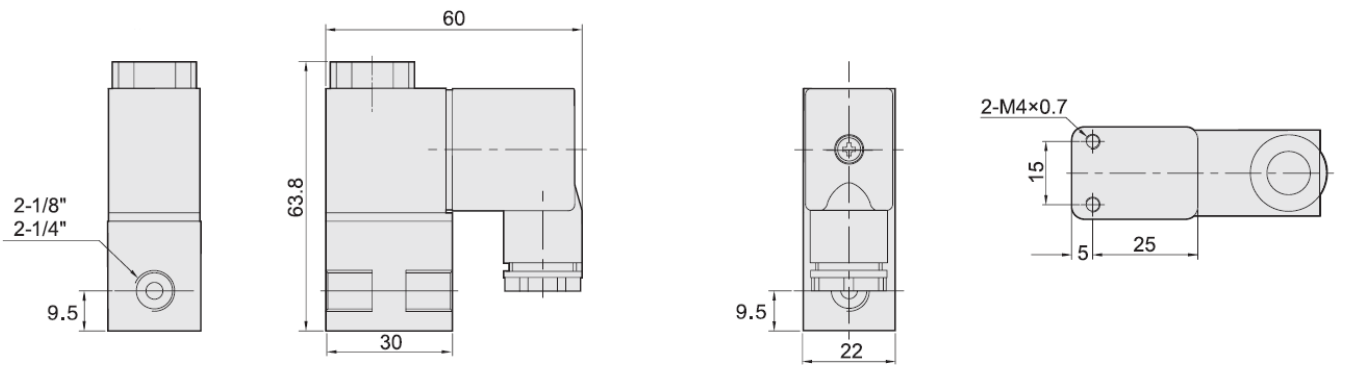


Main Parts Material

Part name	Material
Valve body	Aluminum alloy
Connector	Engineered plastics
Connector washer	NBR (FPM)
Pilot units	Pure steel + Cu + Stainless steel
Diaphragm	NBR
Nut	POM + Carbon steel
Coil	Brass wire covered with heat resistance colophony

Main Dimension

PV221-1/8 & PV221-1/4



(If with the steel nut, the height is 60.7mm)

(mm)