

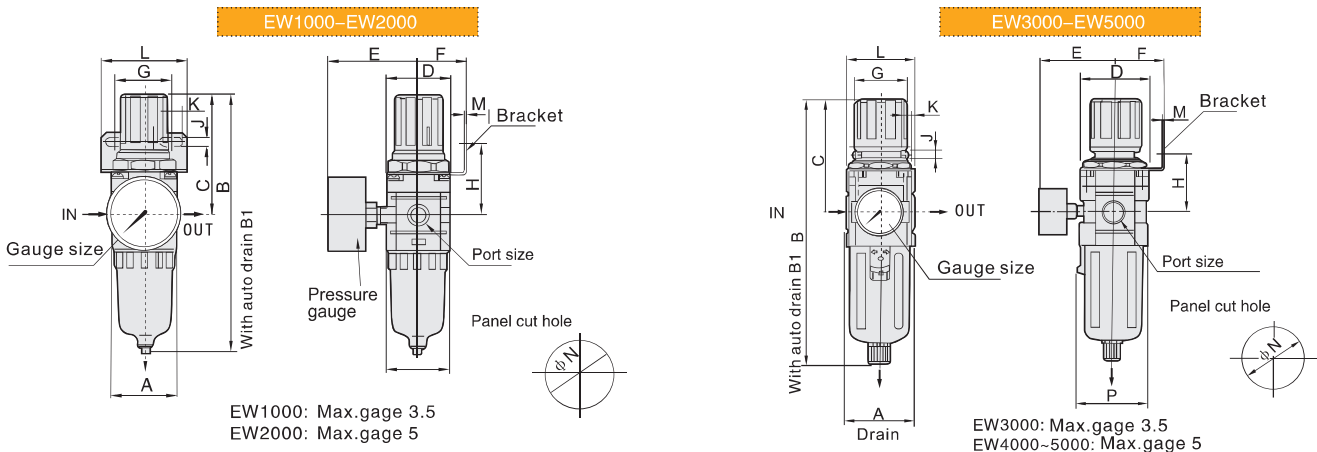
Specifications

Model	EW1000	EW2000	EW3000	EW4000	EW5000
Proof pressure(MPa)	1.5				
Max. working pressure(MPa)	1.0				
Working temperature(°C)	5~60				
Filter precision	25µm ( 5 µm is optional )				
Bowl material	Polycarbonate				
Bowl guard	None		Available		
Pressure adjusting range(MPa)	0.15~0.85				
Valve type	With overflow				

Model	Specifications				Accessories	Drain function	Auto drain model
	*Rated flow (L/min)	** Port size (G)	Pressure gauge thread size(G)	Weight (kg)	Bracket		
EW1000-M5	100	M5	1/16	0.09	B120	Manual drain	EW2000-01D
EW2000-01	1078	1/8	1/8	0.36	B220		EW2000-02D
EW2000-02	1165	1/4				1/8	0.56
EW3000-02	1998	1/4	1/8	1.15	B420		
EW3000-03	2177	3/8				1/4	1.21
EW4000-03	5108	3/8	1/4	1.70	b. Manual drain		
EW4000-04	5211	1/2				1/4	1.70
EW4000-06	5750	3/4	1/4	1.70	b. Manual drain		
EW5000-06	6200	3/4				1/4	1.70
EW5000-10	6400	1	1/4	1.70	b. Manual drain		

\* The above information is based on 8.0 Bar supply pressure and 6.3 Bar set pressure \* NPT,PT port size is optional

Main Dimensions (mm)



Model	Port Size (G)	A	B	B1	C	D	E	F	G	H	J	K	L	M	N	P
EW1000	M5	25	109.5	-	50.5	25	26	25	28	30	4.5	6.5	40	2	20.5	28
EW2000	1/8"-1/4"	40	164.5	202.5	78	40	56.8	30	34	43.5	5.4	15.4	55	2.3	33.5	40
EW3000	1/4"-3/8"	53	211	224.5	92.5	53	60.8	39	40	46	6.5	8	53	2.3	42.5	56
EW4000	3/8"-1/2"	70	262	265	112	70	70.5	49.2	54	53.5	8.5	10.5	70	2.3	52.5	73
EW4000-06	3/4"	75	267	270	114	70	70.5	49.2	54	55.5	8.5	10.5	70	2.3	52.5	73
EW5000	3/4"-1"	90	338	341	116	90	75.5	49.2	54	62	8.5	10.5	70	2.3	52.5	90